

NEW



NEW PRODUCT BULLETIN

Bulletin #: AP21-2019

Date: February 18, 2019

EPA OBDII Direct Fit Converter

05-16 6 Cyl. Nissan Frontier, 4.0L Engine, Front Right

12-16 6 Cyl. Nissan NV1500, 4.0L Engine, Front Right

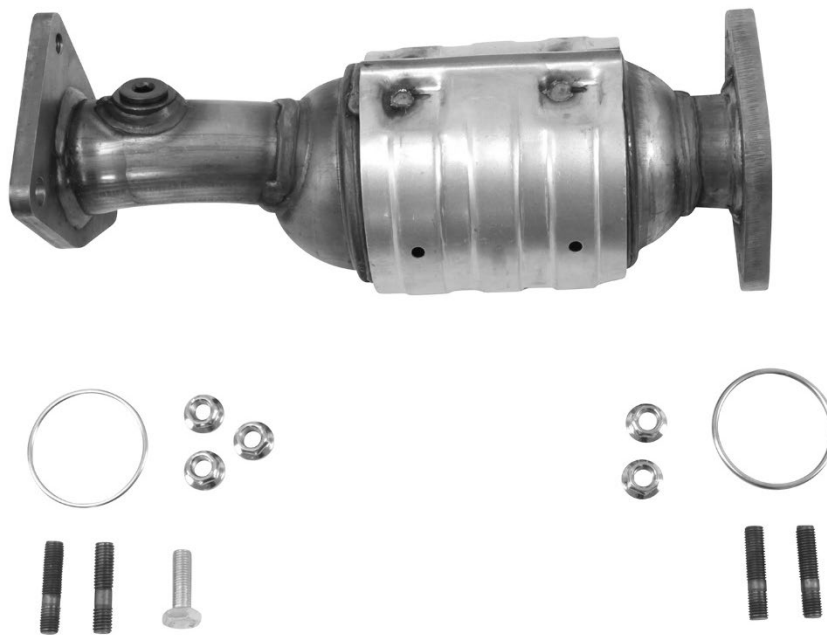
12-16 6 Cyl. Nissan NV2500, 4.0L Engine, Front Right

12-17 6 Cyl. Nissan NV3500, 4.0L Engine, Front Right

05-12 6 Cyl. Nissan Pathfinder, 4.0L Engine, Front Right

05-15 6 Cyl. Nissan Xterra, 4.0L Engine, Front Right

09-12 6 Cyl. Suzuki Equator, 4.0L Engine, Front Right



Part #	Description	Web Catalog Release	Weight #	Boxed	Length	Width	Height	UPC Code	US VIOs	CN VIOs
644090	Converter – Direct Fit	To Be Released	6.50	Boxed	13.75"	6.50"	4.25"	085337350530	1,119,198	65,426

Note: 644090 Supersedes 642138. Includes inlet gasket, outlet gasket, 4 studs, 5 nuts and a bolt. [958] footnote will be applied to 644090 which states "Federal and California Emission vehicles. Not legal for sale or use on vehicles licensed in California or in states where CARB certified catalytic converters must be used. Check with your state authority for details." Product Code – 22 Commodity Code – 211

